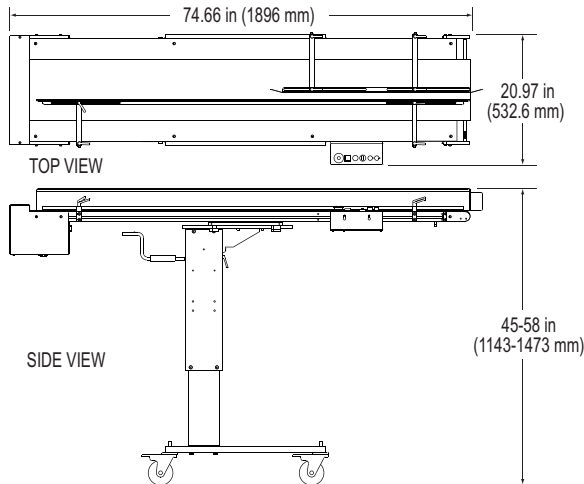




AutoStream - Autoloader Model P1



Overview:

Designed to be a flexible "bulk product" loading solution that easily integrates to a variety of host equipment including addressing bases, swing arm inserter hopper stations, rotary drum feeders, and much more.

Other features include:

- Modular design
- Easy height adjustment
- 6-foot loading capacity
- Stack height monitoring sensor
- System "jog"

Applications:

- Addressing bases
- Swing arm inserter hopper stations
- Accumulating
- Much more

Features:

Tool-free Operator Adjustments

Advantages:

Operators can handle all product changes.

Benefits:

Quicker make-readies.

Solid Welded Frame

Long life, heavy duty, and sturdy.

Handles physical use by employees.

Single Full Width Conveyor Belt, Bottom V-belt - 100% Tracking

Belt tracks straight and true. Ability to handle heavy product.

No need to square product on multiple belts. Load product without concern of weight.

Remote Operator Control

Control station can be located on either side.

You decide work flow and operator position.

4" Heavy Duty Locking Casters

Allows for easy movement. No need for pedestal feet.

Can be quickly and easily moved from job to job.

Stainless Steel Conveyor Top

Stain, rust resistant.

Long life and low maintenance.

Specifications

Maximum Product Size:	12 x 12 in (304 x 304 mm)
Minimum Product Size:	3.625 x 5 in (92 x 127 mm)
Min./Max. Product Thickness:	.003-.75 in (.076 x 19 mm)
Conveyor Belt Speed:	Variable up to 300 ipm (7620 mmpm)
Electrical Requirements:	115vac, 60Hz, 3A
Table Height (adjustable range):	45-58 in (1143-1473 mm)
Warranty:	One-year limited

Streamfeeder - Asia : PT. Cakrawala Mega Engineering, Tel : +62 21 2952 6490, +62 812 921 6168, Email : sales@cakrawalamega.com

